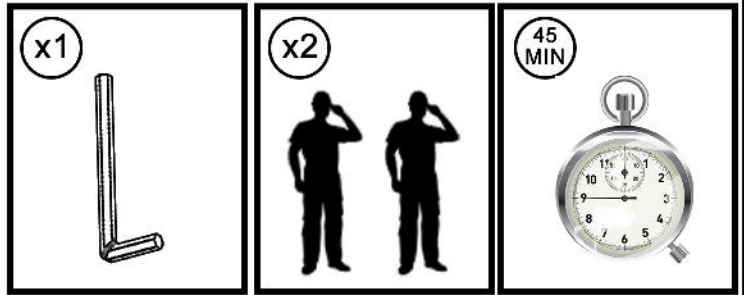


ASSEMBLY INSTRUCTION RECTANGULAR DINING TABLE (180 X 100)

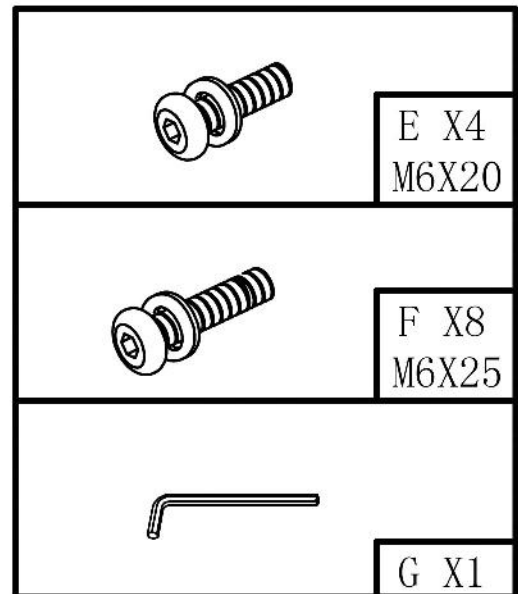
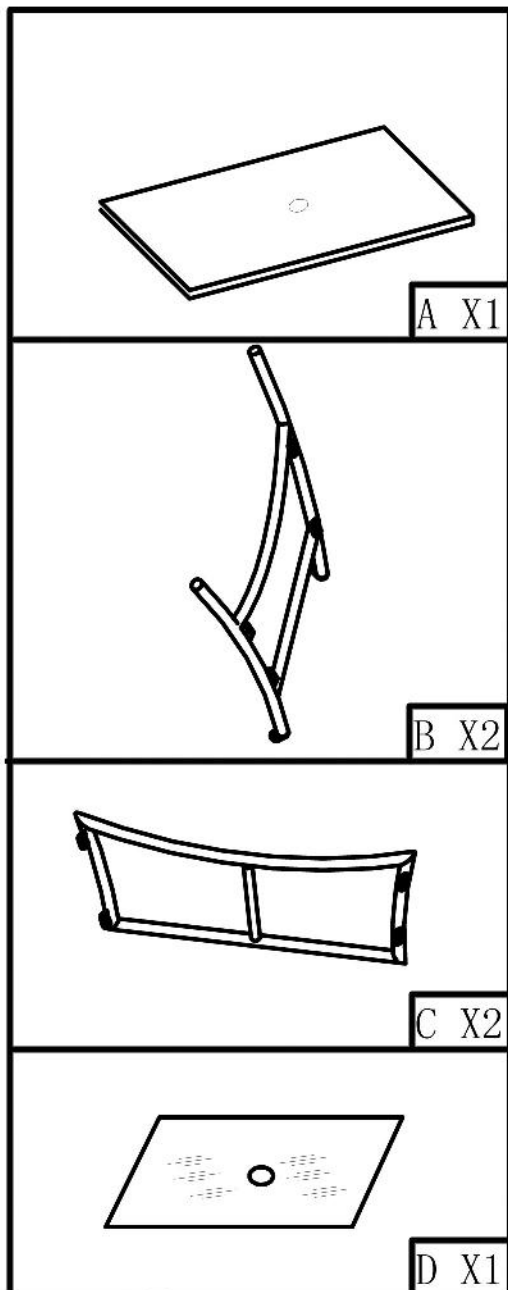
1. PLEASE SEPARATE AND IDENTIFY ALL PARTS. MAKE SURE YOU HAVE ALL OF THE PARTS LISTED

2. PLEASE ASSEMBLE STEP BY STEP AND FOLLOW THE INSTRUCTION.

3. TO AVOID ANY SCRATCH, ASSEMBLE ON A SOFT MAT



COMPONENTS

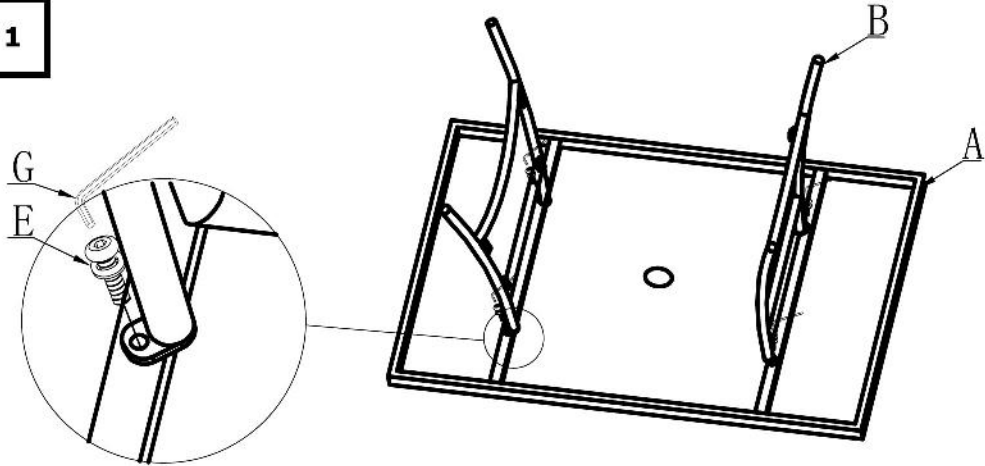


ASSEMBLE TABLE

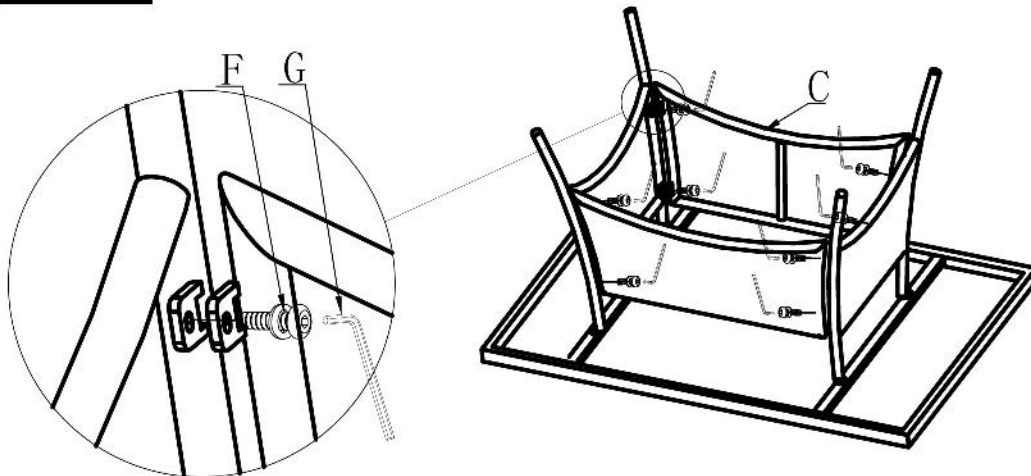
NOTE

DO NOT tighten screws completely until assembling is completed

STEP 1



STEP 2



STEP 3

